

## Neurological Bobath

### Specially designed for treating patients with neurological conditions

With a treatment area of 1200mm x 2000mm and low 450mm minimum height provides excellent access for patients with limited mobility or for wheelchair transfers.

The electric height adjustment can be quickly set at the touch of a button reducing fatigue or backstrain on the practitioner.



#### Features

- Electric Height Adjustment with footswitch
- X-Frame Lift action minimises pinch and crush points
- Heavy duty individually lockable castors
- Durable powder coated rust resistant frame
- High quality anti-microbial vinyl & CFC free foam
- 5 year warranty on frame & electrics
- Australian designed & manufactured

#### Specifications

- 200kg Maximum Lifting Capacity (moving)
- 400kg Maximum Working Load (stationary)
- 450mm Minimum Height
- 850mm Maximum Height
- 1200mm Table Width
- 2000mm Table Length
- Heavy duty industrial quality lockable castors
- Available as single section or two section option\*

\*Two Section manual backrest adjustment +45° (electric backrest model available)



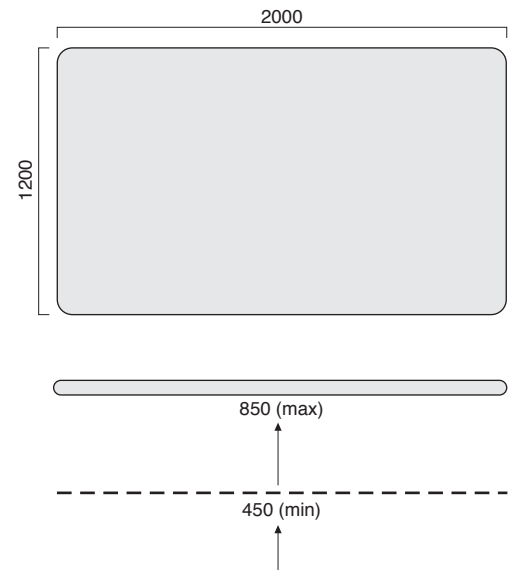
#### The Healthtec Warranty

All Healthtec<sup>TM</sup> manufactured items are covered for defects in material or workmanship for 5 years from date of purchase. Original suppliers warranty applies.

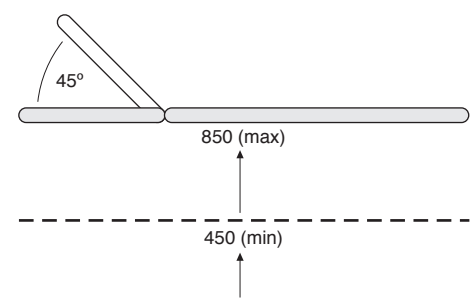
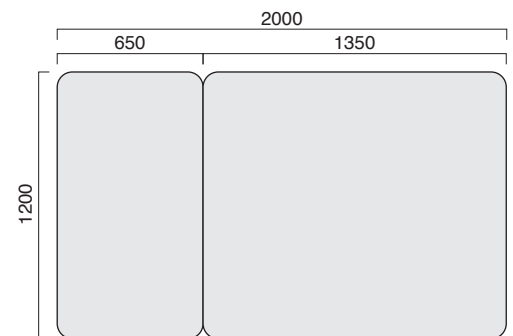
## PRICE SHEET

# Neurological Bobath

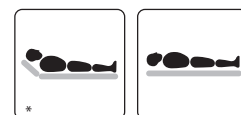
	CODE	QTY
<b>Product Description</b>		
Neurological Bobath Table (1200 wide) – Single Section	50081	
Neurological Bobath Table (1200 wide) – Two Section	50071	
Neurological Bobath Table (1200 wide) – Two Section w/Powered Backrest	50061	
<b>Width and Length Options</b>		
Custom Width Option	6014	
Custom Length Option	6009	
<b>Vinyl Options</b>		
Non Stock Vinyl Option	6018	
Leather Upgrade	6008	
*please refer to our colour chart for vinyl colour options		
<b>Headrest Options</b>		
Nose Hole – Bobath (one hole)	6011-3	
Nose Hole – Bobath (three holes)	6011-4	
Nose Hole Plug	6010	
<b>Castor Options</b>		
Central Locking Castor Option (Bobath)	60372	
Hoist Access Option for Neuro Bobath	6025	
<b>Foot Switch Options</b>		
Additional Foot Switch	6020	
Additional Double Foot Switch (for powered backrest model)	6024	
<b>Extended Warranty</b>		
10 years Frame & Electrics	7800	
<b>Freight</b>		
Freight charges are not included in our prices. Please contact your Healthtec representative for freight costs and options.		
Shipping Dimensions	2050mm x 850mm x 650mm	
Shipping Weight	80kg (approximately)	



50081 Single Section



50071 Two Section



\*50071 model only