



emech
+ + +
m e d i c a l



Supporting you

1300 362 923

www.healthtec.com.au

TREATMENT TABLES

Three Section Treatment Table

Designed for the budget conscious practitioner looking for a reliable sturdy Australian made table built to last.

Ideal for Physiotherapy, Massage, Osteopathy and Beauty Treatments.

The manual adjustable head section includes a nose hole and can be lowered allowing the prone patient to fully relax the neck muscles.

The manual adjustable leg rest can be raised enabling the table to turn into a chair for when you need your patients in a seated position.



Features

- Electric Height Adjustment with footswitch
- X-Frame Lift action minimises pinch and crush points
- Available with either adjustable feet or castors
- Durable powder coated rust resistant frame
- High quality anti-microbial vinyl & CFC free foam
- 5 year warranty on frame & electrics
- Australian designed & manufactured

Specifications

- 250kg Maximum Lifting Capacity (moving)
- 400kg Maximum Working Load (stationary)
- 450mm Minimum Height
- 950mm Maximum Height
- 610mm Table Width
- 1820mm Table Length
- Manual Headrest adjustment +40° to -90°
- Manual Leg Rest Adjustment +70°
- Nose Hole in headrest as standard

Available options:



5102 – Procedure Arm



5114 – Gynae Leg Supports



5105: Prone Arm Rest - Massage



6017: Paper Towel Roll Holder



The Healthtec Warranty

All Healthtec™ manufactured items are covered for defects in material or workmanship for 5 years from date of purchase. Original suppliers warranty applies.

TGA AR-00106892-6

© September 2013



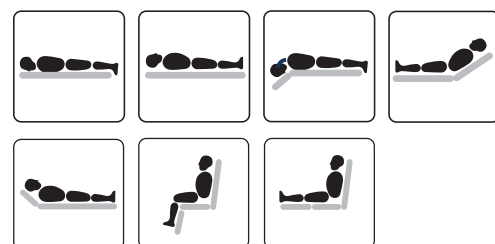
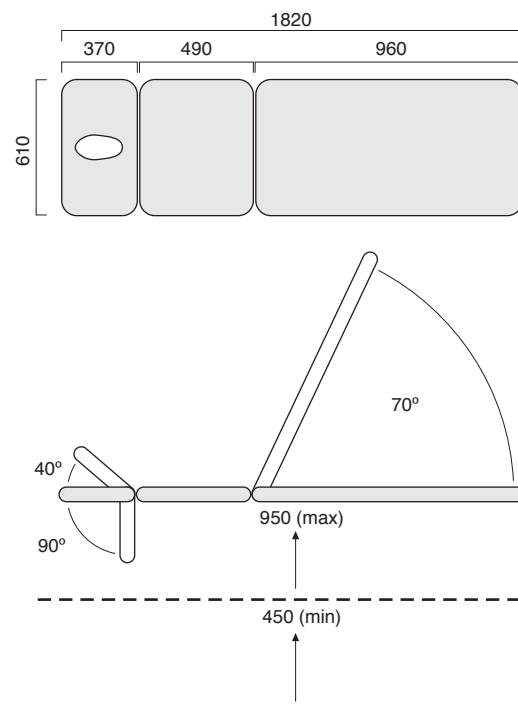
Supporting you

www.healthtec.com.au

PRICE SHEET

Three Section Treatment Table

	CODE	QTY
Product Description		
LynX Treatment Table – Three Section (610 wide) w/adjustable Feet	53030T	
LynX Treatment Table – Three Section (610 wide) w/casters	53031T	
Ezy-Move Wheel Option		
Retractable Ezy-Move Wheel	6000	
Width Options		
670mm Width Option	-65	
710mm Width Option	-70	
770mm Width Option	-75	
Custom Width Option	6014	
Foam & Vinyl Options		
75mm Comfort Foam	6005	
Non-Stock Vinyl Option	6018	
Leather Upgrade	6008	
*please refer to our colour chart for vinyl colour options		
Nose Hole Options		
Nose Hole – Extra (Footend)	6011-1	
Nose Hole Plug	6010	
Face Crest Pro (Footend)	5519	
Armrest & Footrest Options		
Procedure Arm	5102	
Prone Armrest (for facecrest pro)	5119	
Prone Armrest - Massage	5105-3	
Footrest Extension	5104	
Gynae Leg Supports	5114	
Motor and Footswitch Options		
Electrically Operated Headrest	6033	
Electrically Operated Backrest	6031	
Additional Footswitch (1 Function)	6020T	
Rail Options		
Side Rails (Left and Right)	5116	
Table Protection		
Paper Towel Roll Holder	6017	
Fitted Head Rest Cover (for Face Crest Pro) 100 per pack	ANWHRC	
Fitted Treatment Table Cover w/nose hole (Micro Fabric)	7201	
Extended Warranty		
10 years Frame & Electrics	7800	
Freight		
Freight charges are not included in our prices. Please contact your Healthtec representative for freight costs and options.		
Shipping Dimensions	2050mm x 850mm x 650mm	
Shipping Weight	80kg (approximately)	



0800 436 324
www.emech.co.nz
sales@emech.co.nz

FRECALL
1300 362 923
info@healthtec.com.au

Healthtec Pty Ltd ABN 94 224 518 379 TGA AR-00106892-6
© September 2013

Disclaimer: Due to our policy of constant product improvement, specifications may change without notice. Check with us for the latest specifications and pricing.