



healthtec

Supporting you

1300 362 923

www.healthtec.com.au

## TREATMENT TABLES

# Five Section Treatment Table

Designed for the budget conscious practitioner looking for a reliable sturdy Australian made table built to last.

Ideal for Physiotherapy, Massage, Osteopathy and Beauty Treatments.

The five section table is similar to our three section table but with the addition of forward adjustable arm rests.

An ideal option for manipulative therapists also requiring a treatment style table to work on.



### Features

Electric Height Adjustment with footswitch

X-Frame Lift action minimises pinch and crush points

Available with either adjustable feet or castors

Durable powder coated rust resistant frame

High quality anti-microbial vinyl & CFC free foam

5 year warranty on frame & electrics

Australian designed & manufactured

### Specifications

250kg Maximum Lifting Capacity (moving)

400kg Maximum Working Load (stationary)

450mm Minimum Height

950mm Maximum Height

610mm Table Width

1820mm Table Length

Manual Headrest adjustment +40° to -90°

Manual Leg Rest Adjustment +70°

Forward Adjusting Arm Rests

Nose Hole in headrest as standard



### The Healthtec Warranty

All Healthtec™ manufactured items are covered for defects in material or workmanship for 5 years from date of purchase. Original suppliers warranty applies.

TGA AR-00106892-6

© September 2013



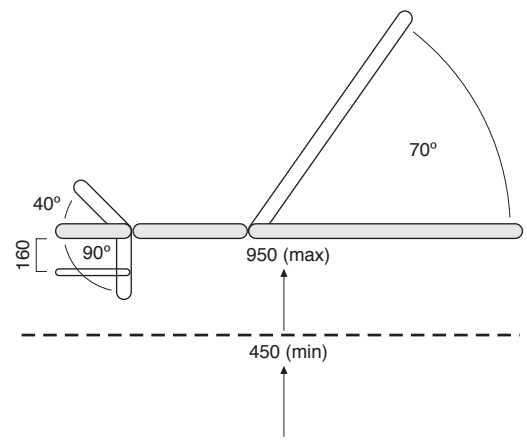
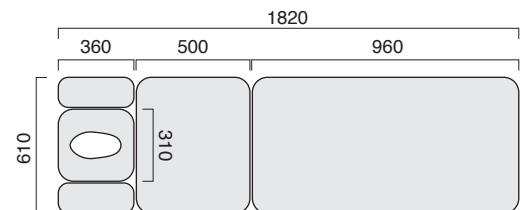
Supporting you

www.healthtec.com.au

## PRICE SHEET

# Five Section Treatment Table

	CODE	QTY
<b>Product Description</b>		
LynX Treatment Table – Five Section (610 wide) w/adjustable feet	53050T	
LynX Treatment Table – Five Section (610 wide) w/castors	53051T	
<b>Ezy-Move Wheel Option</b>		
Retractable Ezy-Move Wheel	6000	
<b>Width Options</b>		
670mm Width Option	-65	
710mm Width Option	-70	
770mm Width Option	-75	
Custom Width Option	6014	
<b>Foam &amp; Vinyl Options</b>		
75mm Comfort Foam	6005	
Non-Stock Vinyl Option	6018	
Leather Upgrade	6008	
*please refer to our colour chart for vinyl colour options		
<b>Nose Hole Options</b>		
Nose Hole – Extra (Footend)	6011	
Nose Hole Plug	6010	
<b>Footrest Options</b>		
Footrest Extension	5104	
<b>Table Protection</b>		
Paper Towel Roll Holder	6017	
<b>Extended Warranty</b>		
10 years Frame & Electrics	7800	
<b>Freight</b>		
Freight charges are not included in our prices. Please contact your Healthtec representative for freight costs and options.		
Shipping Dimensions	2050mm x 850mm x 650mm	
Shipping Weight	80kg (approximately)	



**FRECALL**  
**1300 362 923**  
 info@healthtec.com.au

Healthtec Pty Ltd ABN 94 224 518 379 TGA AR-00106892-6  
 © September 2013

Disclaimer: Due to our policy of constant product improvement, specifications may change without notice. Check with us for the latest specifications and pricing.