



emech  
+ + +  
m e d i c a l

PODIATRY



Supporting you

1300 362 923

www.healthtec.com.au

## Podiatry Chair with Electric Seat Tilt

While this Podiatry Chair has all the elements of our basic Podiatry Model it has the addition of the electric seat tilt allowing a higher heel height of 1100mm.

Ideal for Podiatrists that have to share their space with other practitioners.

Manual adjusting back and legs rests and adjustable arm rests combines the convenience of a chair with the treatment table.



### Features

- Electric Height Adjustment with footswitch
- X-Frame Lift action minimises pinch and crush points
- Durable powder coated rust resistant frame
- High quality anti-microbial vinyl & CFC free foam
- 5 year warranty on frame & electrics
- Australian designed & manufactured

### Specifications

- 250kg Maximum Lifting Capacity (moving)
- 400kg Maximum Working Load (stationary)
- 450mm Minimum Height
- 950mm Maximum Height
- 610mm Table Width
- 1900mm Table Length
- Manual Backrest Adjustment +70°
- Manual Leg Rest Adjustment -80°
- Electric Seat Tilt Adjustment +17°

### Available options:



5112: Drop Down Armrests



### The Healthtec Warranty

All Healthtec™ manufactured items are covered for defects in material or workmanship for 5 years from date of purchase. Original suppliers warranty applies.

TGA AR-00106892-6

© September 2013



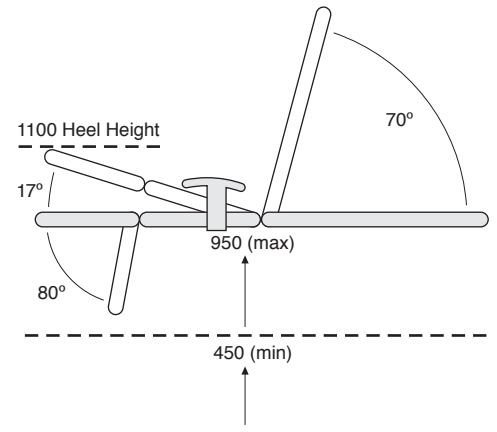
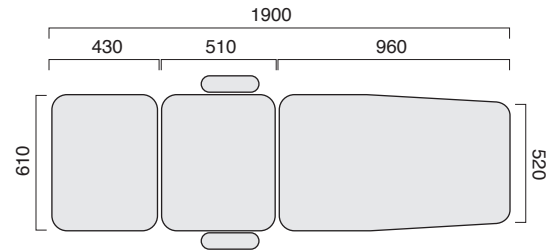
Supporting you

www.healthtec.com.au

# PRICE SHEET

## Podiatry Chair with Electric Seat Tilt

	CODE	QTY
<b>Product Description</b>		
LynX Podiatry Chair (610 wide) with Electric Seat Tilt and Castors	53331T	
<b>Width Options</b>		
670mm Width Option	-65	
710mm Width Option	-70	
770mm Width Option	-75	
Custom Width Option	6014	
<b>Foam &amp; Vinyl Options</b>		
75mm Comfort Foam	6005	
Non-Stock Vinyl Option	6018	
*please refer to our colour chart for vinyl colour options		
<b>Nose Hole Options</b>		
Nose Hole – Podi Backrest	6011-5	
Nose Hole Plug	6010	
<b>Armrest &amp; Debris Options</b>		
Drop Down Armrest	5112	
Debris Tray	5108	
<b>Table Protection</b>		
Paper Towel Roll Holder	6017	
Disposable Fitted Bed Sheet — 10 per pack	ANWFIT	
<b>Extended Warranty</b>		
10 years Frame & Electrics	7800	
<b>Freight</b>		
Freight charges are not included in our prices. Please contact your Healthtec representative for freight costs and options.		
Shipping Dimensions	2050mm x 850mm x 650mm	
Shipping Weight	80kg (approximately)	



**FRECALL**  
**1300 362 923**  
 info@healthtec.com.au

Healthtec Pty Ltd ABN 94 224 518 379 TGA AR-00106892-6  
 © September 2013

Disclaimer: Due to our policy of constant product improvement, specifications may change without notice. Check with us for the latest specifications and pricing.

0800 436 324  
 www.emech.co.nz  
 sales@emech.co.nz