



emech
+ + +
m e d i c a l



Supporting you

1300 362 923

www.healthtec.com.au

BEAUTY & MASSAGE

Comfort Spa Chair

Combining the practicalities of a Treatment Table this luxurious Chair is ideal for waxing, pedicures, facials & body treatments.

The contoured shape gives the therapist maximum access to any part of the body while maintaining maximum client comfort.

Standard inclusions are 75mm Comfort Foam, heavy duty independently lockable castors, adjustable face crest with incorporated prone arm rest and winged arm rest extension cushions.

The height adjustable side arm rests can quickly and easily be removed converting the chair into a comfortable massage table within seconds.

The smooth quiet electric height, backrest & seat tilt adjustments at a click of a switch make this chair a sheer delight for any therapist to operate while leaving your clients in comfort heaven.



Features

- Electric height adjustment with footswitch
- X-Frame lift action minimises pinch & crush points
- Heavy duty independently lockable castors
- Durable powder coated rust resistant frame
- High quality anti-microbial vinyl & CFC free foam
- Australian designed & manufactured
- 5 year warranty on electrics
- Lifetime structural warranty

Specifications

- 250kg Maximum Lifting Capacity (moving)
- 400kg Maximum Working Load (stationary)
- 450mm Minimum Height
- 950mm Maximum Height
- 680mm Table Width (at widest point)
- 1900mm Table Length
- Manual face crest adjustment +15° to -45°
- Electric adjustable backrest +70°
- Manual adjustable leg rest -85°
- Electrically operated seat lift function
- Wing Arm Rest Extension Cushions
- Removable & height adjustable side arm rests



The Healthtec Warranty

All Healthtec™ manufactured items are covered for defects in material or workmanship for 5 years from date of purchase. Original suppliers warranty applies.

TGA AR-00106892-6

© December 2013



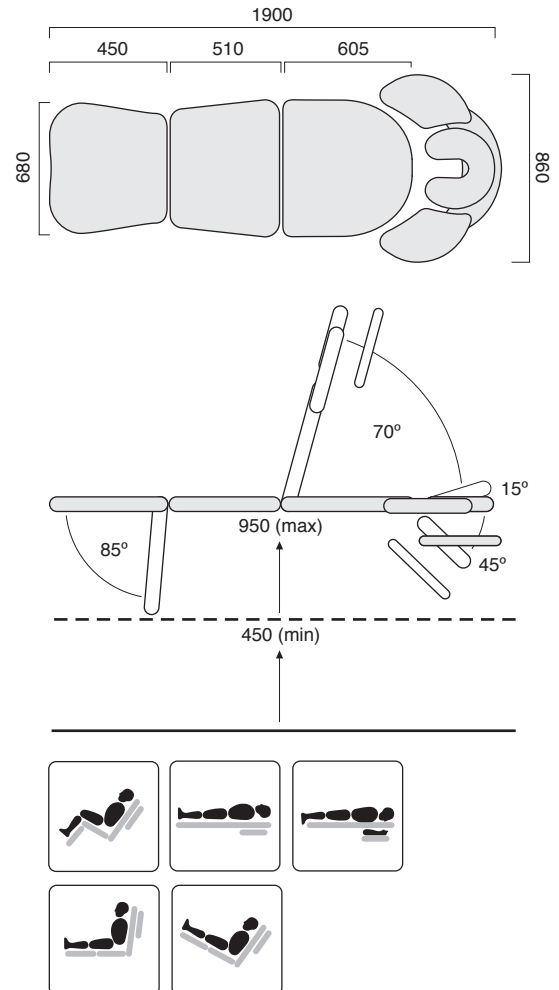
Supporting you

www.healthtec.com.au

PRICE SHEET

Comfort Spa Chair

	CODE	QTY
Product Description		
LynX Comfort Spa Chair (680 wide) with castors	53401T	
Width Options		
650mm Slim Line Width Option	-65	
750mm Wide Width Option	-75	
Vinyl Options		
Pellan Ultimate Vinyl Upgrade	6018	
Leather Upgrade	6008	
*please refer to our colour chart for vinyl colour options		
Headrest Options		
Supine Head Pad (square)	5117	
Foot Switch Options		
Additional Foot Switch (Double)	6024T	
Table Protection		
Contour Table Cover	7200	
Face Crest Cushion Cover	7212	
Prone Arm Rest Cover	7211	
Supine Head Pad Cover	7213	
Fitted Head Rest Cover (disposable – pack of 100)	ANWHRC	
Warranty Options		
Extended Warranty 10yrs Electric	7800	
Extended Warranty		
10 years Electrics	7800	
Freight		
Freight charges are not included in our prices. Please contact your Healthtec representative for freight costs and options.		
Shipping Dimensions	2050mm x 850mm x 650mm	
Shipping Weight	80kg (approximately)	



FRECALL
1300 362 923
 info@healthtec.com.au

Healthtec Pty Ltd ABN 94 224 518 379 TGA AR-00106892-6
 © December 2013

Disclaimer: Due to our policy of constant product improvement, specifications may change without notice. Check with us for the latest specifications and pricing.

0800 436 324
 www.emech.co.nz
 sales@emech.co.nz