



emech
m e d i c a l



Supporting you

1300 362 923

www.healthtec.com.au

SPECIALTY

Cardiology Table

Designed with special cut out for Cardiac Examination to allow the operator to get the patient perfectly positioned for 'Echo' style transducer techniques.

The LynX Cardiology Table offers a generous lifting capacity, electric operated backrest and removable cut out fill section allowing the table to be a full examination table when required.

The low minimum height allows for easy patient transfer while the maximum height can easily be adjusted reducing fatigue and back strain on the practitioner.



Features

- Electric Height Adjustment with footswitch
- X-Frame Lift action minimises pinch and crush points
- Heavy duty individually lockable castors
- Durable powder coated rust resistant frame
- High quality anti-microbial vinyl & CFC free foam
- 5 year warranty on frame & electrics
- Australian designed & manufactured

Specifications

- 250kg Maximum Lifting Capacity (moving)
- 400kg Maximum Working Load (stationary)
- 450mm Minimum Height
- 950mm Maximum Height
- 710mm Table Width
- 1840mm Table Length
- Electric Backrest adjustment +70°
- Cardiac cut out
- Removable Cardiac cut out fill section



The Healthtec Warranty

All Healthtec™ manufactured items are covered for defects in material or workmanship for 5 years from date of purchase. Original suppliers warranty applies.

TGA AR-00106892-6

© October 2013



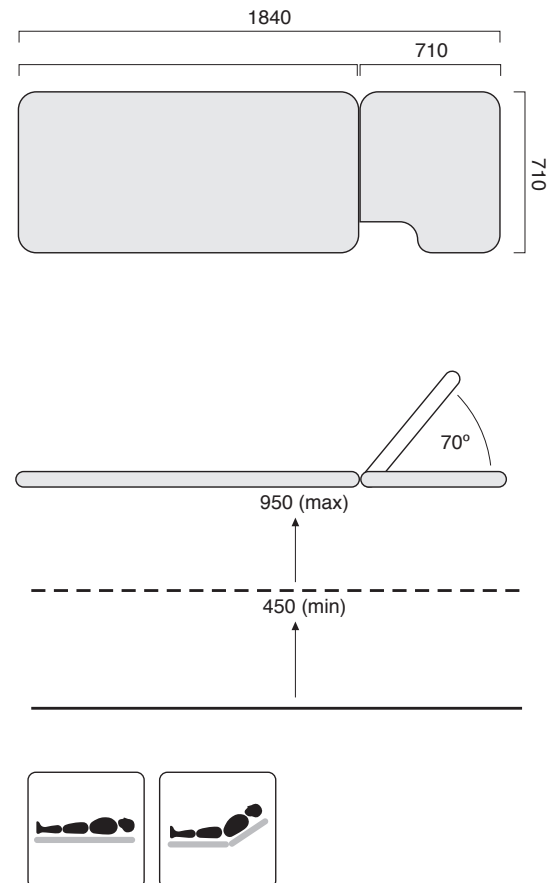
Supporting you

www.healthtec.com.au

PRICE SHEET

Cardiology Table

	CODE	QTY
Product Description		
LynX Cardiology Table (710 wide) – Two Section w/cut out & castors	53621T-7	
Width Options		
770mm Width Option	-75	
Custom Width Option	6014	
Foam & Vinyl Options		
75mm Comfort Foam	6005	
Non-Stock Vinyl Option	6018	
Leather Upgrade	6008	
*please refer to our colour chart for vinyl colour options		
Head Section Options		
Nose Hole – Examination Backrest	6011-2	
Nose Hole Plug	6010	
Footswitch Option		
Additional Footswitch (2 function)	6024	
Rail Options		
Side Rails (left/right) each	5115	
Castor Options		
Central Locking Castors	6037	
Hoist Access Clearance (140mm clearance)	6028	
Table Protection		
Paper Towel Roll Holder	6017	
Disposable Fitted Sheet – 10 per pack	ANWFIT	
Extended Warranty		
10 years Frame & Electrics	7800	
Freight		
Freight charges are not included in our prices. Please contact your Healthtec representative for freight costs and options.		
Shipping Dimensions	2050mm x 850mm x 650mm	
Shipping Weight	80kg (approximately)	



FRECALL
1300 362 923
 info@healthtec.com.au

Healthtec Pty Ltd ABN 94 224 518 379 TGA AR-00106892-6
 © October 2013

Disclaimer: Due to our policy of constant product improvement, specifications may change without notice. Check with us for the latest specifications and pricing.

0800 436 324
 www.emech.co.nz
 sales@emech.co.nz