



emech  
m e d i c a l



Supporting you

1300 362 923

www.healthtec.com.au

SPECIALTY

## Gynae Examination Chair

The multi-function Gynae Examination Chair has been designed with comfort in mind.

The seat cut out allows for easier access for examination and procedures while the removable cut out fill section allows the chair to become a full examination table when required for other examinations.

The padded footrests replace the old fashioned stirrups providing additional comfort to the patient while the electric seat tilt allows the practitioner to effortlessly position the patient in a comfortable sitting position.



### Features

- Electric Height Adjustment with footswitch
- X-Frame Lift action minimises pinch and crush points
- Heavy duty individually lockable castors
- Durable powder coated rust resistant frame
- High quality anti-microbial vinyl & CFC free foam
- 5 year warranty on frame & electrics
- Australian designed & manufactured

### Specifications

- 250kg Maximum Lifting Capacity (moving)
- 400kg Maximum Working Load (stationary)
- 450mm Minimum Height
- 950mm Maximum Height
- 610mm Table Width
- Manual Backrest Adjustment +70°
- Electric pelvic seat section +20°
- Removable cut out fill section
- Adjustable padded footrests



### The Healthtec Warranty

All Healthtec™ manufactured items are covered for defects in material or workmanship for 5 years from date of purchase. Original suppliers warranty applies.

TGA AR-00106892-6

© October 2013



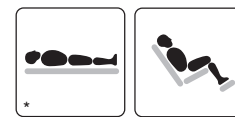
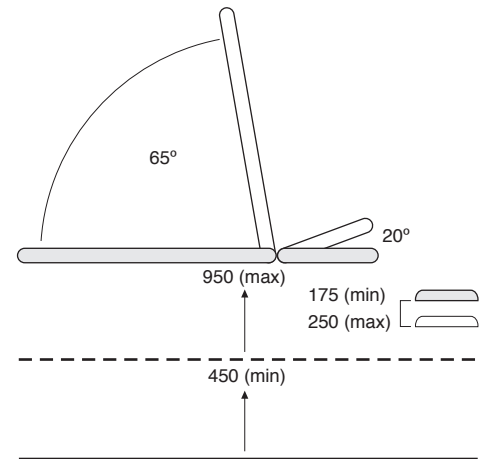
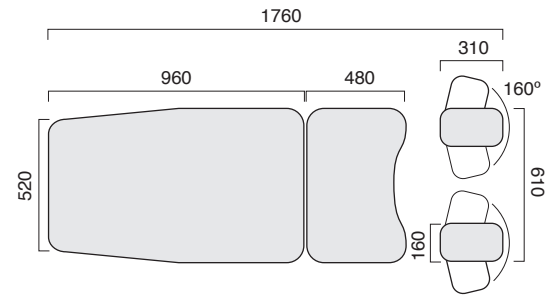
Supporting you

www.healthtec.com.au

# PRICE SHEET

## Gynae Examination Chair

	CODE	QTY
<b>Product Description</b>		
LynX Gynae Examination Chair (610 wide) w/castors	53701T	
<b>Width Options</b>		
670mm Width Option	-65	
770mm Width Option	-75	
Custom Width Option	6014	
<b>Foam &amp; Vinyl Options</b>		
75mm Comfort Foam	6005	
Non-Stock Vinyl Option	6018	
Leather Upgrade	6008	
*please refer to our colour chart for vinyl colour options		
<b>Head Section Options</b>		
Nose Hole – Examination Backrest	6011-2	
Nose Hole Plug	6010	
<b>Motor &amp; Footswitch Option</b>		
Electric Operated Backrest	6029	
Additional Footswitch (2 function)	6024	
<b>Arm Rest Options</b>		
Arm Rest – Drop Down	5112	
<b>Castor Options</b>		
Central Locking Castors	6037	
Hoist Access Clearance (140mm clearance)	6028	
<b>Table Protection</b>		
Paper Towel Roll Holder	6017	
<b>Extended Warranty</b>		
10 years Frame & Electrics	7800	
<b>Freight</b>		
Freight charges are not included in our prices. Please contact your Healthtec representative for freight costs and options.		
Shipping Dimensions	2050mm x 850mm x 650mm	
Shipping Weight	80kg (approximately)	



\*when cut out fill section is fitted

**FRECALL**  
**1300 362 923**  
info@healthtec.com.au

Healthtec Pty Ltd ABN 94 224 518 379 TGA AR-00106892-6  
© October 2013

Disclaimer: Due to our policy of constant product improvement, specifications may change without notice. Check with us for the latest specifications and pricing.

0800 436 324  
www.emech.co.nz  
sales@emech.co.nz