



emech
m e d i c a l



Supporting you

1300 362 923

www.healthtec.com.au

SPECIALTY

Gynae Examination Table

Designed in conjunction with a Gynaecologist this table provides sufficient and effective pelvic tilt for examining the cervix.

It also aids in the ease of manipulation of speculums.

The low minimum height with no lateral movement allows for easy patient access and transfer while the maximum height can quickly be set to suit the Practitioner's requirements reducing back strain and injury.



Features

Electric Height Adjustment with footswitch

X-Frame Lift action minimises pinch and crush points

Heavy duty individually lockable castors

Durable powder coated rust resistant frame

High quality anti-microbial vinyl & CFC free foam

5 year warranty on frame & electrics

Australian designed & manufactured

Specifications

250kg Maximum Lifting Capacity (moving)

400kg Maximum Working Load (stationary)

450mm Minimum Height

950mm Maximum Height

710mm Table Width

1950mm Table Length

Manual Backrest Adjustment +70°

Electric pelvic seat section +20°



The Healthtec Warranty

All Healthtec™ manufactured items are covered for defects in material or workmanship for 5 years from date of purchase. Original suppliers warranty applies.

TGA AR-00106892-6

© October 2013



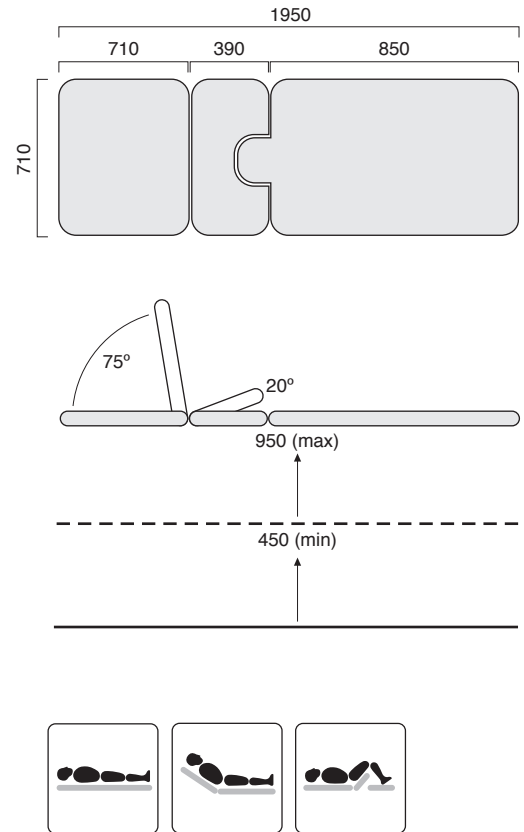
Supporting you

www.healthtec.com.au

PRICE SHEET

Gynae Examination Table

| | CODE | QTY |
|--|------------------------|-----|
| Product Description | | |
| LynX Gynae Examination Table (710 wide) w/castors | 53751T-7 | |
| Width Options | | |
| 770mm Width Option | -75 | |
| Custom Width Option | 6014 | |
| Foam & Vinyl Options | | |
| 75mm Comfort Foam | 6005 | |
| Non-Stock Vinyl Option | 6018 | |
| Leather Upgrade | 6008 | |
| *please refer to our colour chart for vinyl colour options | | |
| Head Section Options | | |
| Nose Hole – Examination Backrest | 6011-2 | |
| Nose Hole Plug | 6010 | |
| Footswitch Option | | |
| Additional Footswitch (2 function) | 6024 | |
| Examination Options | | |
| Gynae Leg supports | 5114 | |
| Castor Options | | |
| Central Locking Castors | 6037 | |
| Hoist Access Clearance (140mm clearance) | 6028 | |
| Table Protection | | |
| Paper Towel Roll Holder | 6017 | |
| Disposable Fitted Sheet – 10 per pack | ANWFIT | |
| Extended Warranty | | |
| 10 years Frame & Electrics | 7800 | |
| Freight | | |
| Freight charges are not included in our prices. Please contact your Healthtec representative for freight costs and options. | | |
| Shipping Dimensions | 2050mm x 850mm x 650mm | |
| Shipping Weight | 80kg (approximately) | |



FRECALL
1300 362 923
 info@healthtec.com.au

Healthtec Pty Ltd ABN 94 224 518 379 TGA AR-00106892-6
 © October 2013

Disclaimer: Due to our policy of constant product improvement, specifications may change without notice. Check with us for the latest specifications and pricing.

0800 436 324
 www.emech.co.nz
 sales@emech.co.nz