



emech
m e d i c a l



Supporting you

1300 362 923

www.healthtec.com.au

SOUTHERN CROSS

Three Section Treatment Table

The SC electric lift Treatment Table makes switching to an electric height adjustable table more affordable than ever before.

The adjustable head section with nose hole can be slightly lowered enabling the prone patient to fully relax the neck muscles giving optimum comfort during treatments.

The adjustable leg rest enables the table to quickly be turned into a chair for when you need your clients in a seated position.



Features

Electric Height Adjustment with footswitch

X-Frame Lift action minimises pinch and crush points

Table can be moved similar to moving a wheelbarrow

Durable powder coated rust resistant frame

High quality anti-microbial vinyl & CFC free foam

5 year warranty on frame & electrics

Australian designed & manufactured

Specifications

250kg Maximum Lifting Capacity (moving)

400kg Maximum Working Load (stationary)

540mm Minimum Height

860mm Maximum Height

610mm Table Width

1840mm Table Length

Manual Headrest Adjustment +40° to -90°

Manual Leg rest adjustment +70°

Nose hole in headrest standard

Footswitch Control



The Healthtec Warranty

All Healthtec™ manufactured items are covered for defects in material or workmanship for 5 years from date of purchase. Original suppliers warranty applies.

TGA AR-00106892-6

© August 2013



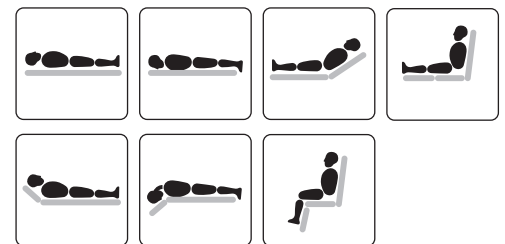
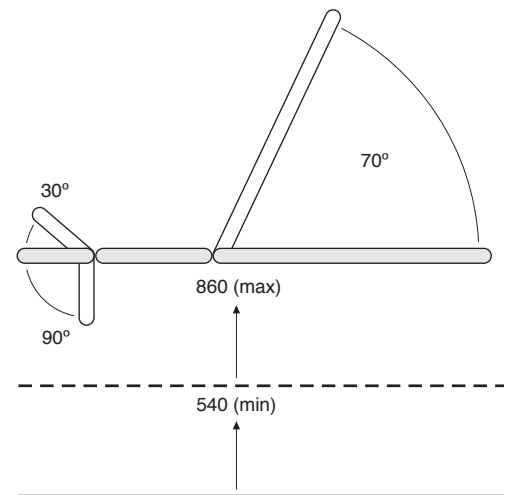
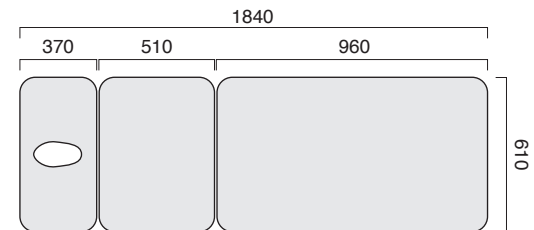
Supporting you

www.healthtec.com.au

PRICE SHEET

Three Section Treatment Table

Product Description	CODE	Qty
Product Description		
SC Three Section Treatment Table (610 wide)	56031	
Foam & Vinyl Options		
75mm Comfort Foam	6005	
Non-Stock Vinyl Option	6018	
*please refer to our colour chart for vinyl colour options		
Nose Hole Option		
Nose Hole Plug	6010	
Armrest Option		
Procedure Arm	5102	
Gynae Option		
Gynae Leg Supports	5114	
Table Protection		
Fitted Table Cover with Nose Hole (610 wide)	7201	
Paper Towel Roll Holder	6017	
Disposable Fitted Bed Sheet – 10 per pack	ANWFIT	
Extended Warranty		
10 years Frame & Electrics	7800	
Freight		
Freight charges are not included in our prices. Please contact your Healthtec representative for freight costs and options.		
Shipping Dimensions	2050mm x 850mm x 650mm	
Shipping Weight	80kg (approximately)	



FRECALL
1300 362 923
info@healthtec.com.au

Healthtec Pty Ltd ABN 94 224 518 379 TGA AR-00106892-6
© August 2013

Disclaimer: Due to our policy of constant product improvement, specifications may change without notice. Check with us for the latest specifications and pricing.

0800 436 324
www.emech.co.nz
sales@emech.co.nz