



emech
medical



Supporting you

1300 362 923

www.healthtec.com.au

SOUTHERN CROSS

Examination Table

The SC electric lift Examination Table makes switching to an electric height adjustable table more affordable than ever before.

Offering a generous lifting capacity of 250kg with a lift-up backrest enabling a comfortable seated or semi-reclined position.



Features

Electric Height Adjustment with footswitch

X-Frame Lift action minimises pinch and crush points

Table can be moved similar to moving a wheelbarrow

Durable powder coated rust resistant frame

High quality anti-microbial vinyl & CFC free foam

5 year warranty on frame & electrics

Australian designed & manufactured

Specifications

250kg Maximum Lifting Capacity (moving)

400kg Maximum Working Load (stationary)

540mm Minimum Height

860mm Maximum Height

710mm Table Width

1930mm Table Length

Manual backrest adjustment +70°

Footswitch Control



The Healthtec Warranty

All Healthtec™ manufactured items are covered for defects in material or workmanship for 5 years from date of purchase. Original suppliers warranty applies.

TGA AR-00106892-6

© August 2013



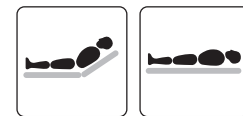
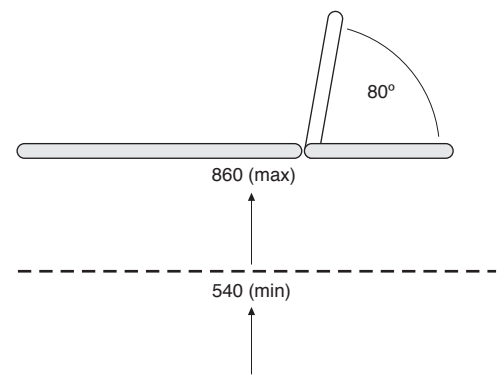
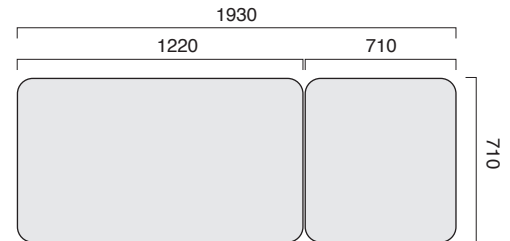
Supporting you

www.healthtec.com.au

PRICE SHEET

Examination Table

Product Description	CODE	Qty
Product Description		
SC Examination Table (710 wide) – 1/3-2/3 Two Section	56121	
Foam & Vinyl Options		
75mm Comfort Foam	6005	
Non-Stock Vinyl Option	6018	
*please refer to our colour chart for vinyl colour options		
Nose Hole Option		
Nose Hole in Backrest	6011-2-7	
Nose Hole Plug	6010	
Armrest Option		
Procedure Arm	5102	
Gynae Option		
Gynae Leg Supports	5114	
Table Protection		
Paper Towel Roll Holder	6017	
Disposable Fitted Bed Sheet – 10 per pack	ANWFIT	
Extended Warranty		
10 years Frame & Electrics	7800	
Freight		
Freight charges are not included in our prices. Please contact your Healthtec representative for freight costs and options.		
Shipping Dimensions	2050mm x 850mm x 650mm	
Shipping Weight	80kg (approximately)	



FRECALL
1300 362 923
 info@healthtec.com.au

Healthtec Pty Ltd ABN 94 224 518 379 TGA AR-00106892-6
 © August 2013

Disclaimer: Due to our policy of constant product improvement, specifications may change without notice. Check with us for the latest specifications and pricing.

0800 436 324
 www.emech.co.nz
 sales@emech.co.nz