

healthtec

TM

Supporting you

1300 362 923

www.healthtec.com.au

FIXED HEIGHT

Heavy Duty Adjustable Height Metal Plinth

Ideal for First aid rooms, as a strapping table or for general treatments & examination.

Designed to help keep the working area free from clutter our fixed height metal plinths are made to take the rigours of heavy duty everyday use in any practice.

Optional drawer units can be fitted for extra storage capacity



Features

Powder Coated Steel Frame

High quality anti-microbial vinyl & CFC free foam

Australian designed & manufactured

Lifetime structural warranty

Specifications

400kg Safe Working Load

550 Minimum Working Height

800 Maximum Working Height

710mm Table Width

184mm Table Length

50mm Enduro Foam



Shown with optional drawer unit.



The Healthtec Warranty

All Healthtec™ manufactured items are covered for defects in material or workmanship for 5 years from date of purchase. Original suppliers warranty applies.

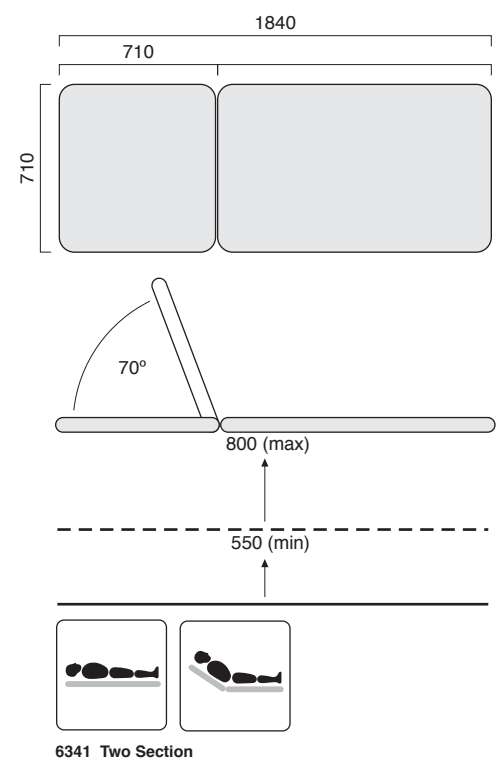
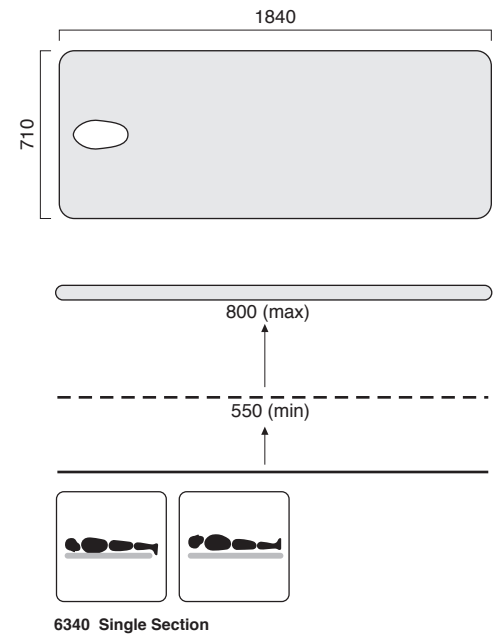
TGA AR-00106892-6

© October 2013

PRICE SHEET

Heavy Duty Adjustable Height Metal Plinth

	CODE	QTY
Product Description		
Heavy Duty Adjustable Height Metal Plinth (710 wide) – Single Section	6340-7	
Heavy Duty Adjustable Height Metal Plinth (710 wide) – Two Section	6341-7	
Width Options		
650mm Width Option	-65	
Custom Width Option	6014	
Foam & Vinyl Options		
75mm Comfort Foam	6005	
Non-Stock Vinyl Option	6018	
Leather Upgrade	6008	
*please refer to our colour chart for vinyl colour options		
Nose Hole Options		
Nose Hole – Examination Backrest	6011-2	
Nose Hole Plug	6010	
Drawer Options		
Single Drawer Unit	6349	
Two Drawer Unit	6348	
Table Protection		
Paper Towel Roll Holder	6017	
Disposable Fitted Bed Sheet – 10 per pack	ANWFIT	
Freight		
Freight charges are not included in our prices. Please contact your Healthtec representative for freight costs and options.		
Shipping Dimensions	2400mm x 780mm x 190mm	
Shipping Weight	30kg (approximately)	



FREECALL
1300 362 923
info@healthtec.com.au

Healthtec Pty Ltd ABN 94 224 518 379 TGA AR-00106892-6
 © October 2013

Disclaimer: Due to our policy of constant product improvement, specifications may change without notice. Check with us for the latest specifications and pricing.