

REHABILITATION

Column Tilt Table

Ideal for Rehabilitation Wards, Diagnostic Clinics doing venous testing.

The Column Tilt Table is our premium tilt table offering a generous lifting capacity, smooth and quiet tilt function from horizontal to +85° with infinite adjustment in between.

Unique in its design this is the only Tilt Table on the market which allows the patient to walk on and walk off safely when at full vertical tilt.

Supplied standard with three extra wide safety straps, our trademark fold away footplate, multi-function hand control and heavy duty hospital grade castors with central locking for extra convenience and mobility.

Also available with digital weighing scales built into frame.



Features

Electric height & tilt adjustment with hand switch

Single fold-away footplate as standard

Optional +/-10° plantar/dorsi footplate available

3 x Patient safety straps supplied as standard

Footplates can fold away converting the Tilt Table into an Examination Table when required

Independently operated tilt and height adjustment – can be operated at the same time or individually from any position

Central locking castors

5 year warranty on frame & electrics

Australian designed and manufactured

Specifications

250kg Maximum Lifting Capacity (moving)

400kg Maximum Working Load (stationary)

650mm Minimum Height

950mm Maximum Height

800mm Table Width

Infinite tilt adjustment to +85°



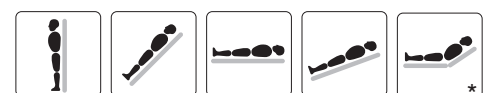
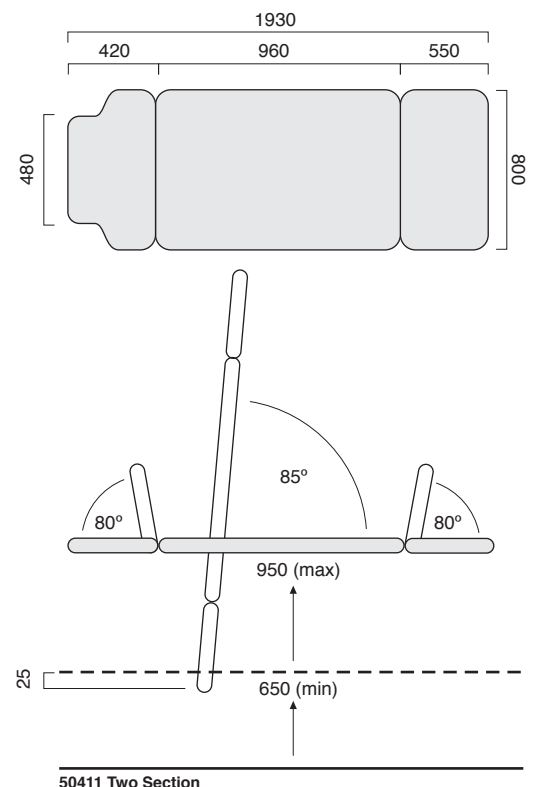
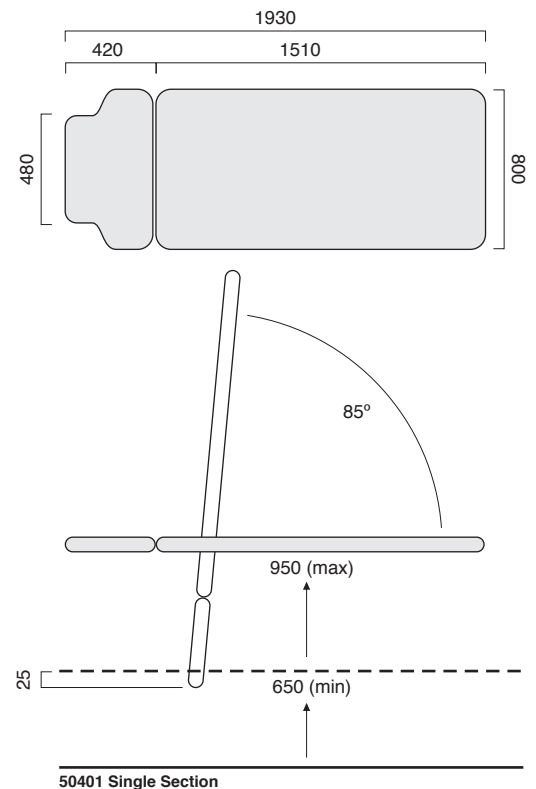
The Healthtec Warranty

All Healthtec™ manufactured items are covered for defects in material or workmanship for 5 years from date of purchase. Original suppliers warranty applies.

PRICE SHEET

Column Tilt Table

Product Description	CODE	QTY
Product Description		
Column Tilt Table (800 wide) – Single Section	50401	
Column Tilt Table (800 wide) – Two Section	50411	
Column Tilt Table (800 wide) – Two Section w/digital weighing scales	50441	
Foam & Vinyl Options		
75mm Comfort Foam	6005	
Non-Stock Vinyl Option	6018	
Leather Upgrade	6008	
*please refer to our colour chart for vinyl colour options		
Nose Hole Options		
Nose Hole	6011	
Nose Hole Plug	6010	
Motor Options		
Electric Operated Backrest (2 section model only)	6031	
Battery Back Up – Column Tilt Table	6037	
Manual Override Quick Release – Column Tilt Table	6035	
Footplate Options		
-/+ 10° Plantar/Dorsi Flexion Footplate	5043	
Rail Options		
Side Rail (Left/Right) each	5115	
Tilt Table Specific Options		
Inclination Indicator	6023	
Tilt Table Patient Strap - Additional	5048	
Table Protection		
Paper Towel Roll Holder	6017	
Extended Warranty		
10 years Frame & Electrics	7800	
Freight		
Freight charges are not included in our prices. Please contact your Healthtec representative for freight costs and options.		
Shipping Dimensions	2200mm x 900mm x 900mm	
Shipping Weight	120kg (approximately)	



*Two Section Model Only

FRECALL
1300 362 923
 info@healthtec.com.au

Healthtec Pty Ltd ABN 94 224 518 379 TGA AR-00106892-6
 © October 2013

Disclaimer: Due to our policy of constant product improvement, specifications may change without notice. Check with us for the latest specifications and pricing.