



Cupboard Examination Tables

This Table is crafted from Melamine coated MDF and is designed to give you more storage capacity. Friction free drawers under the bed give added close storage and there is an extending slide shelf providing extra writing space. Wide colour selection of Melamine and upholstery available to perfectly match your practice décor. Optional backrest available.



Huge storage area.

Key Features:

- ◀ Sturdy Construction
- ◀ Friction Free Drawers and Writing Tray
- ◀ Dunlop Enduro Foam as standard (40mm)

Compare the **Quality**, we think you'll be impressed.



1. Cabinets and drawers come with several configuration options.



2. 3 deep drawers and writing tray.

healthtec™
pacific healthtec pty ltd

www.healthtec.net.au

Distributed by:

October 07

5 YEAR WARRANTY

All Healthtec™ manufactured items are covered for defects in material or workmanship for 5 years from date of purchase. Original suppliers warranty applies.

Pacific Healthtec Pty Ltd designs & manufactures all Physioline™ & Healthtec™ Products.

Physioline

healthtec

physical medical equipment

Healthtec™ Order Form

Your Details

Please supply us with your details and we'll get back to you to confirm your order and shipping details.

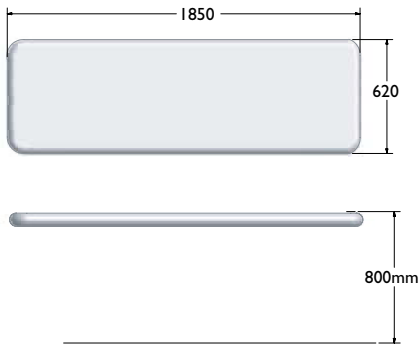
Name _____

Company _____

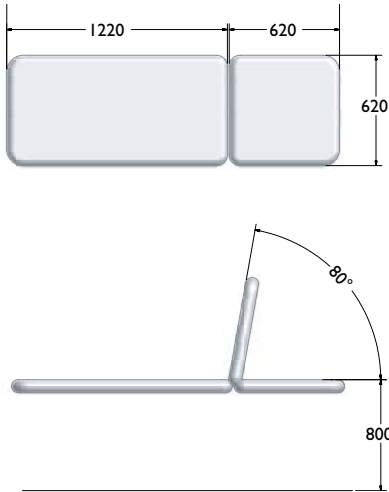
Phone Number _____

Signature _____

Examination Cupboard Bed One Section 6355



Examination Cupboard Bed Two Section 6356



Options & Accessories

Code

Qty

Foam, Vinyl & Frame Options

Duo-Foam 60mm Upgrade	6006	<input type="checkbox"/>
Tri-Foam 75mm Upgrade	6005	<input type="checkbox"/>
Premium Colours Vinyl Upgrade	6018	<input type="checkbox"/>
Leather Upgrade	6008	<input type="checkbox"/>

Colours

- Black Coral Sand Cornflower
 Galaxy Greystone Other _____
 Seaspray Jungle Green

Head Section Options

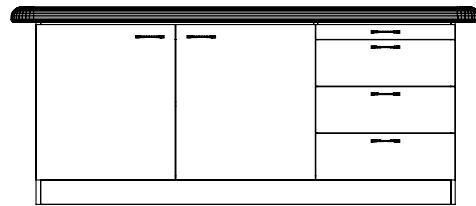
Nose Hole - Plug	6010	<input type="checkbox"/>
Nose Hole - Extra	6011	<input type="checkbox"/>
Nose Hole - Custom Shape	6012	<input type="checkbox"/>

Accessories

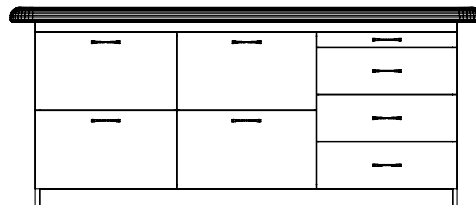
Paper Towel - Roll Holder	6017	<input type="checkbox"/>
Paper Towel - Dispenser Pack	6021	<input type="checkbox"/>

Configuration Options

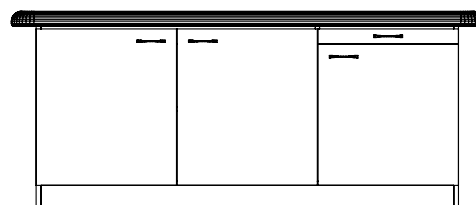
Configuration Option A



Configuration Option B



Configuration Option C



Configuration Option D

