

Hi-Capacity Mobility Chair

Fully electric operated chair designed to meet the requirements of your Bariatric Patients

The safe lifting capacity of 350kg helps reduce unnecessary patient handling while minimising back strain and injury on the practitioner.

The Hi-Capacity Mobility Chair can be laid flat for patient transfer from bed or gurney, the patient can then be re-positioned using the all electric adjustments reducing staff effort, OH&S concerns and saves patients dignity.

Fold out the two footplates, connect a Staminalift bed mover and the unit doubles as a motorized wheelchair.

This chair is also being used as patient seating in Bariatric wards.



Features

Electric Height Adjustment with handswitch

Column lift eliminating crush points

Central Locking Castors

Durable powder coated rust resistant frame

High quality anti-microbial vinyl & CFC free foam

5 year warranty on frame & electrics

Australian designed & manufactured

Specifications

350kg Maximum Lifting Capacity (moving)

400kg Maximum Working Load (stationary)

470mm Minimum Height

870mm Maximum Height

750mm Table Width (at widest point)

Electric seat tilt and backrest

Electric leg section with fold out footrests

Patient lifter access even at the lowest height

Battery back up for all functions

Connects to stamina lift bed mover

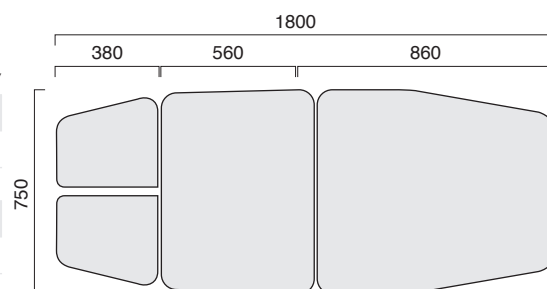
The Healthtec Warranty

All Healthtec™ manufactured items are covered for defects in material or workmanship for 5 years from date of purchase. Original suppliers warranty applies.

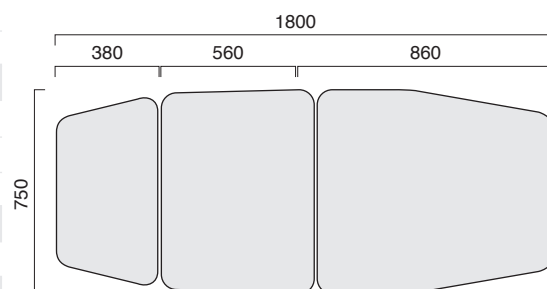
PRICE SHEET

Hi-Capacity Mobility Chair

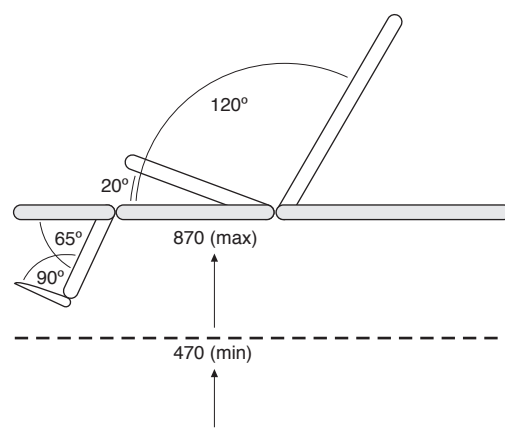
	CODE	QTY
Product Description		
Hi-Capacity Mobility Chair w/single leg support	50391-1	
Hi-Capacity Mobility Chair w/individual leg support	50391	
Width & Length Options		
Custom Width Option	6014	
Custom Length Option	6019	
Vinyl Options		
Non-Stock Vinyl Option	6018	
Leather Upgrade	6008	
*please refer to our colour chart for vinyl colour options		
Back Rest Options		
Nose Hole	6011	
Nose Hole Plug	6010	
Winged Bolster Head Rest	5107	
Table Protection		
Paper Towel Roll Holder	6017	
Extended Warranty		
10 years Frame & Electrics	7800	
Freight		
Freight charges are not included in our prices. Please contact your Healthtec representative for freight costs and options.		
Shipping Dimensions	2050mm x 850mm x 650mm	
Shipping Weight	80kg (approximately)	



50391 — w/ individual leg support



50391-1 — w/ single leg support



FRECALL
1300 362 923
info@healthtec.com.au

Healthtec Pty Ltd ABN 94 224 518 379 TGA AR-00106892-6
 © October 2013

Disclaimer: Due to our policy of constant product improvement, specifications may change without notice. Check with us for the latest specifications and pricing.

0800 436 324 | sales@emech.co.nz
www.emech.co.nz